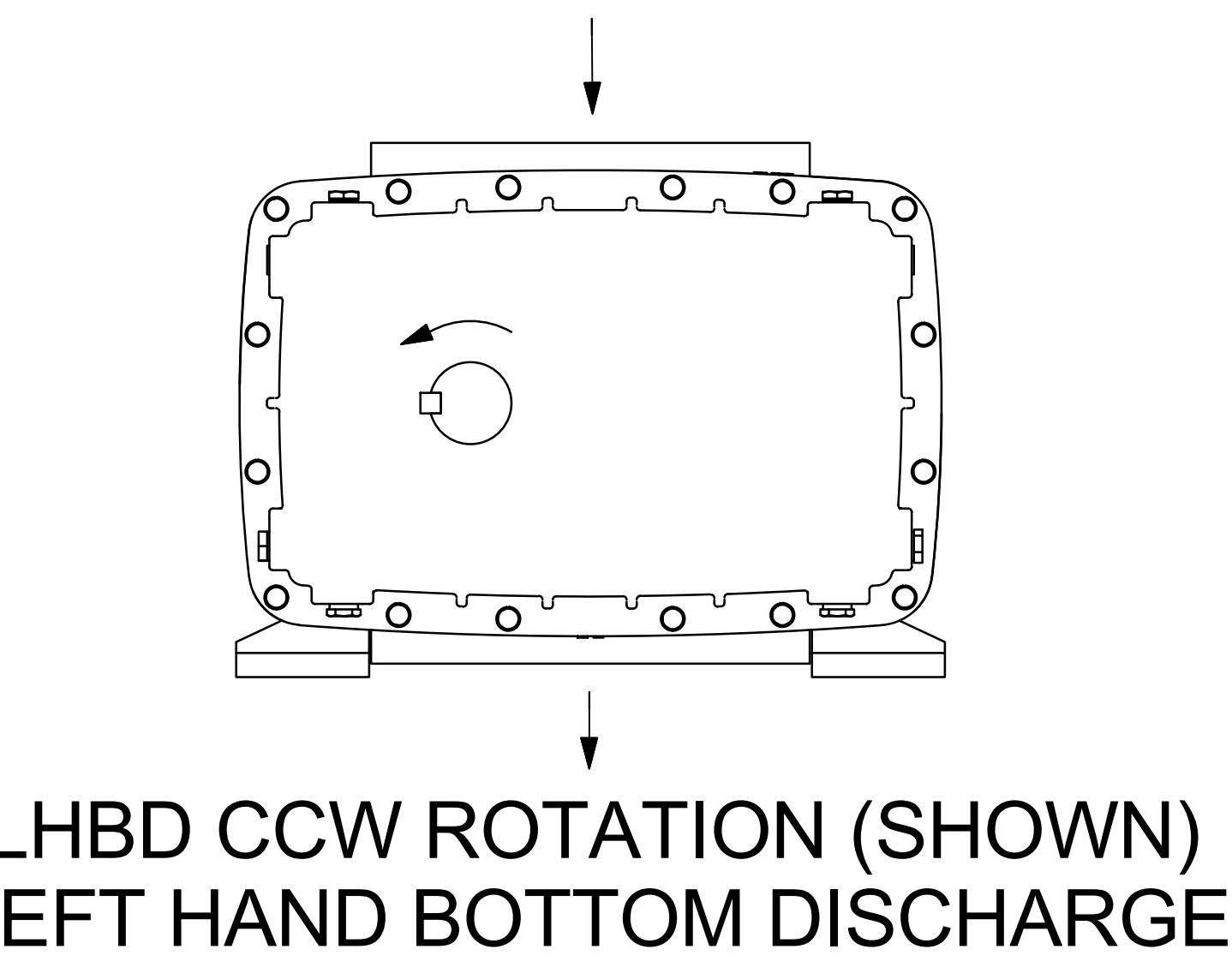
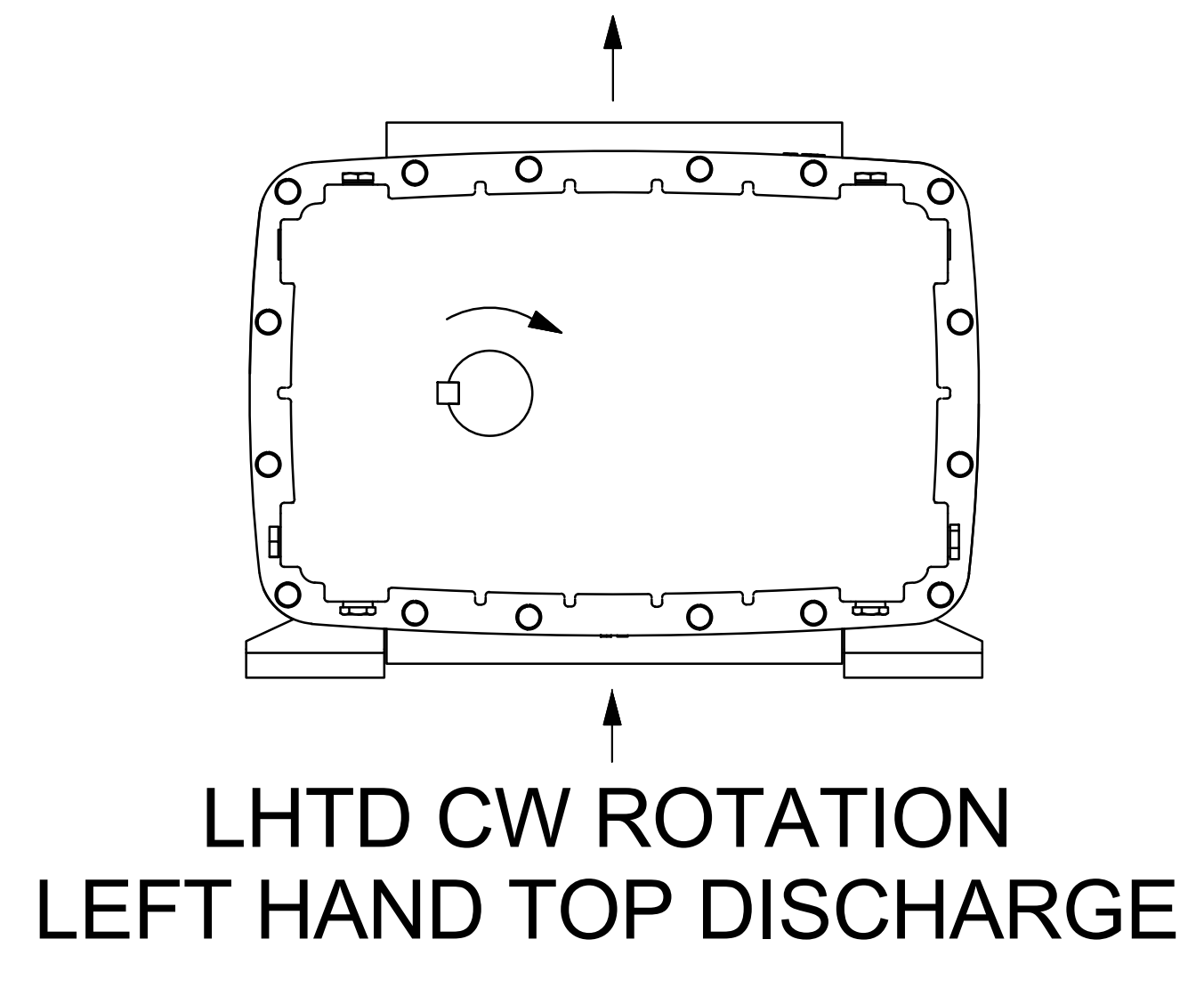
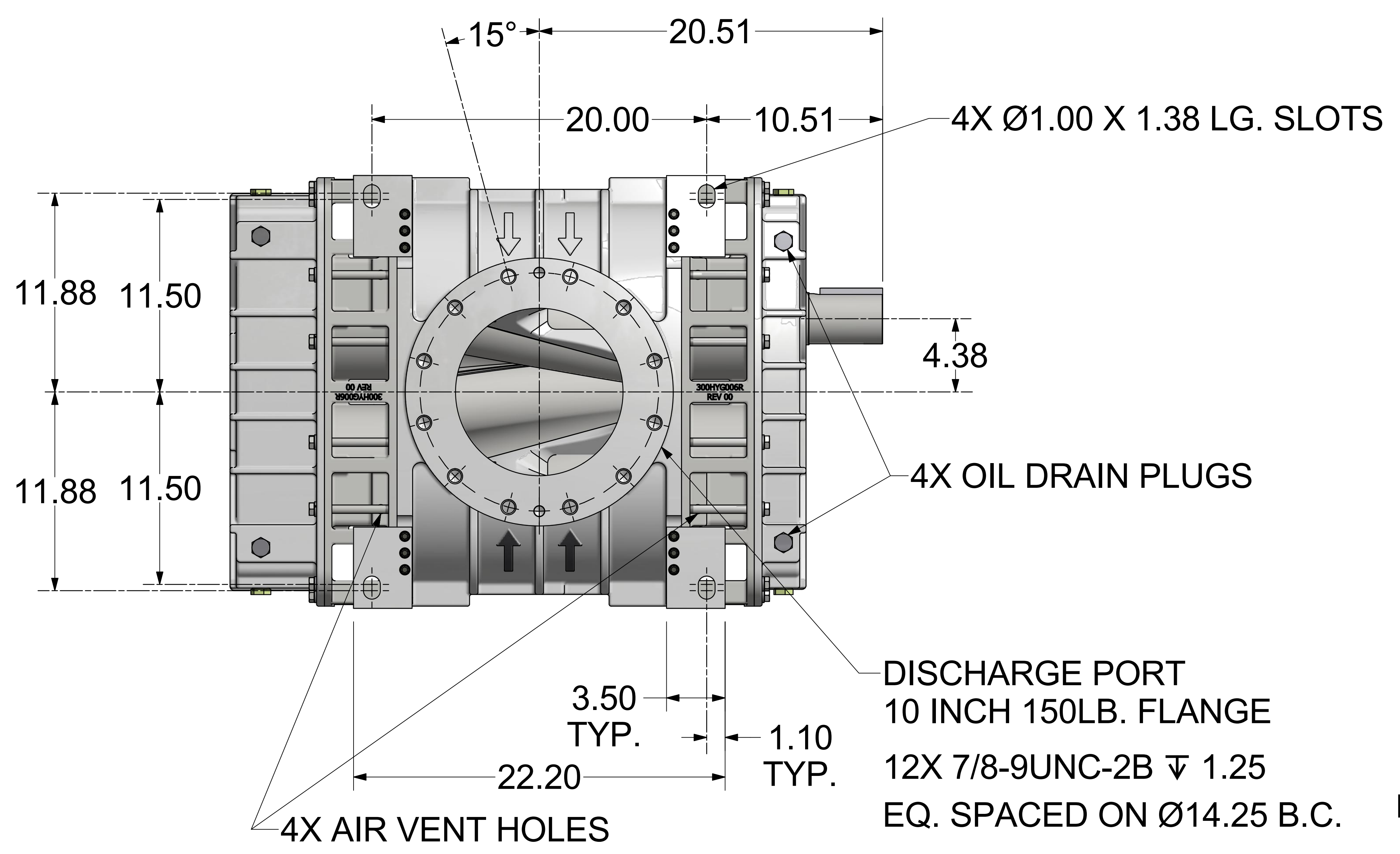
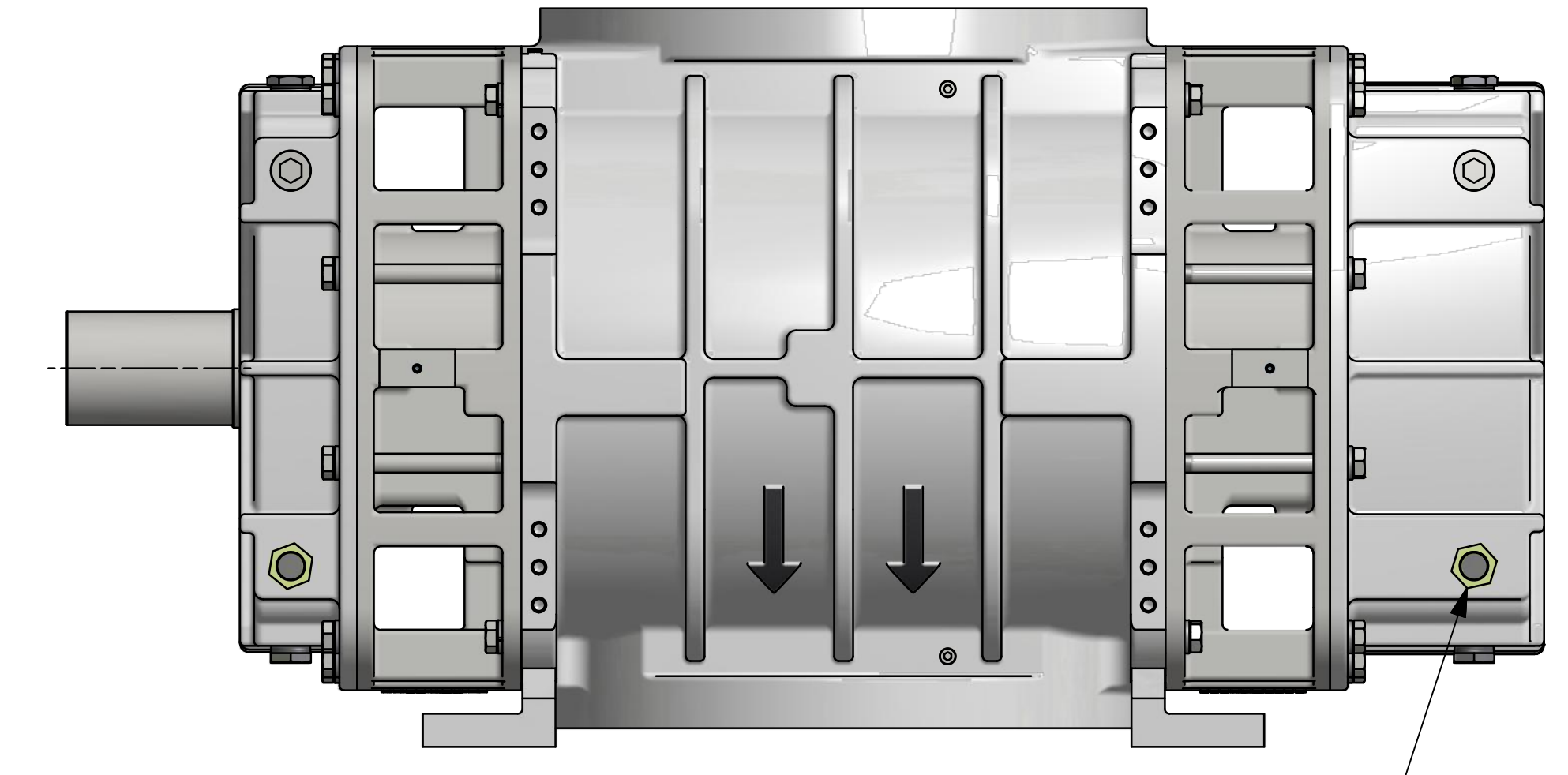
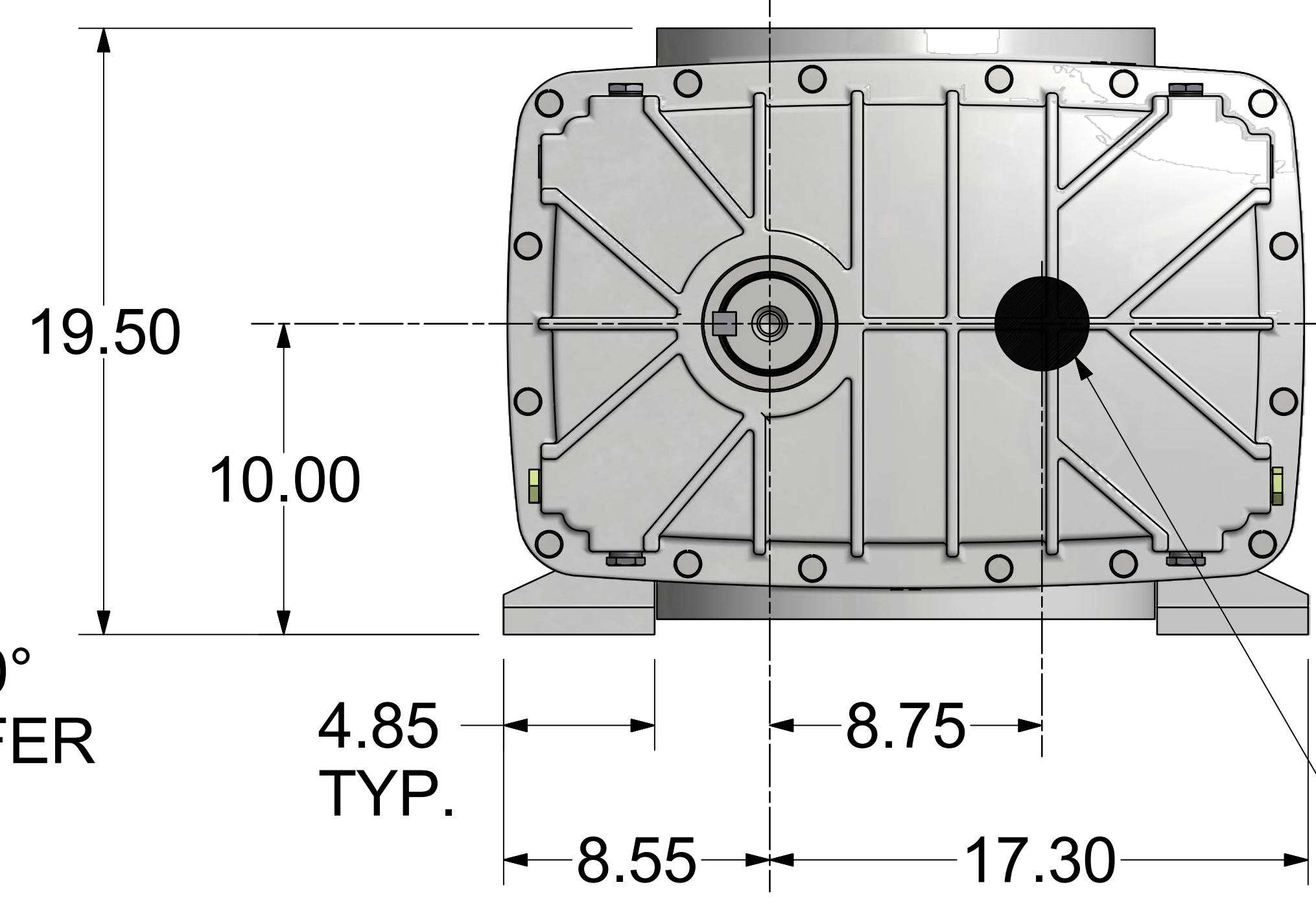
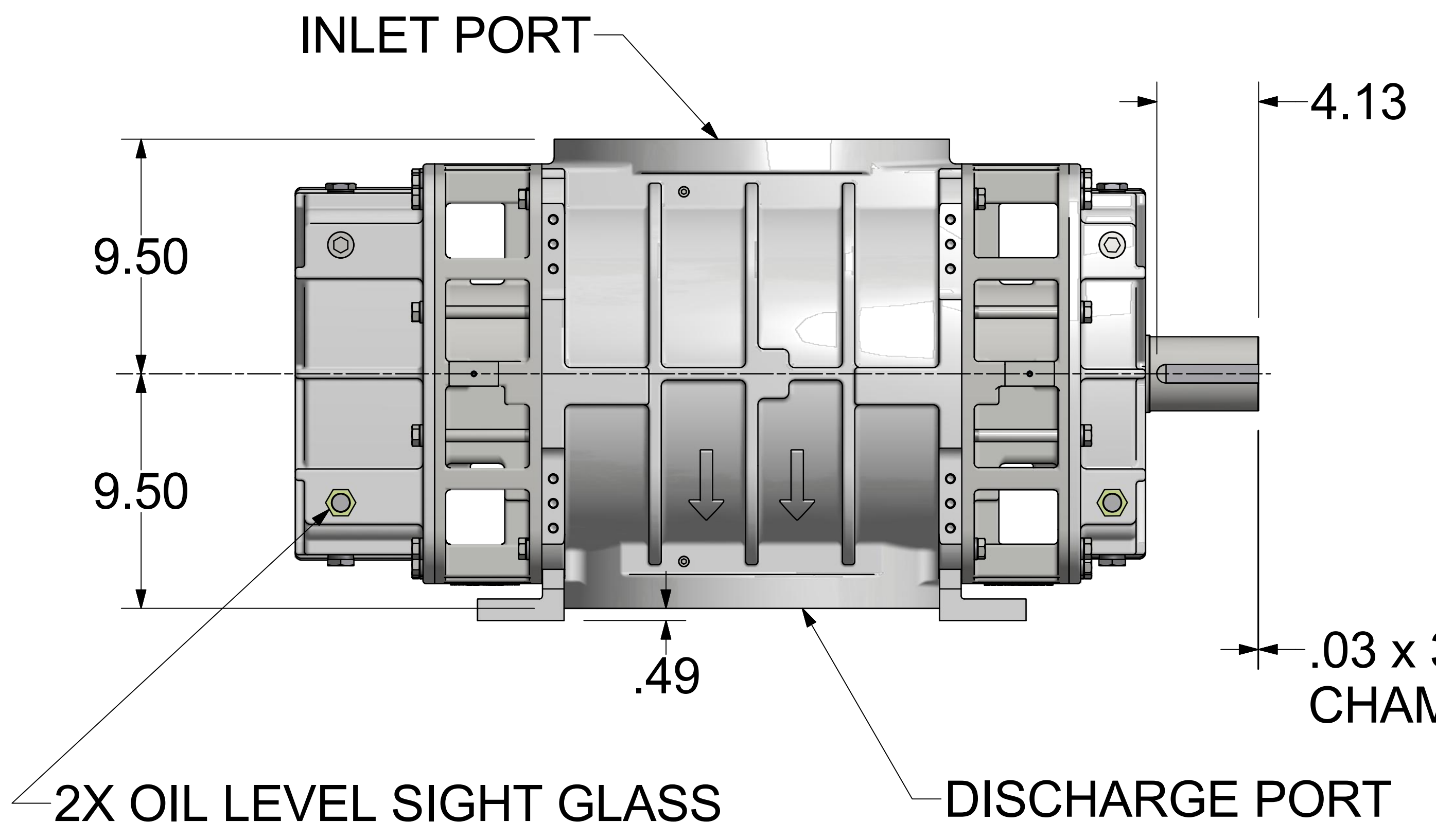
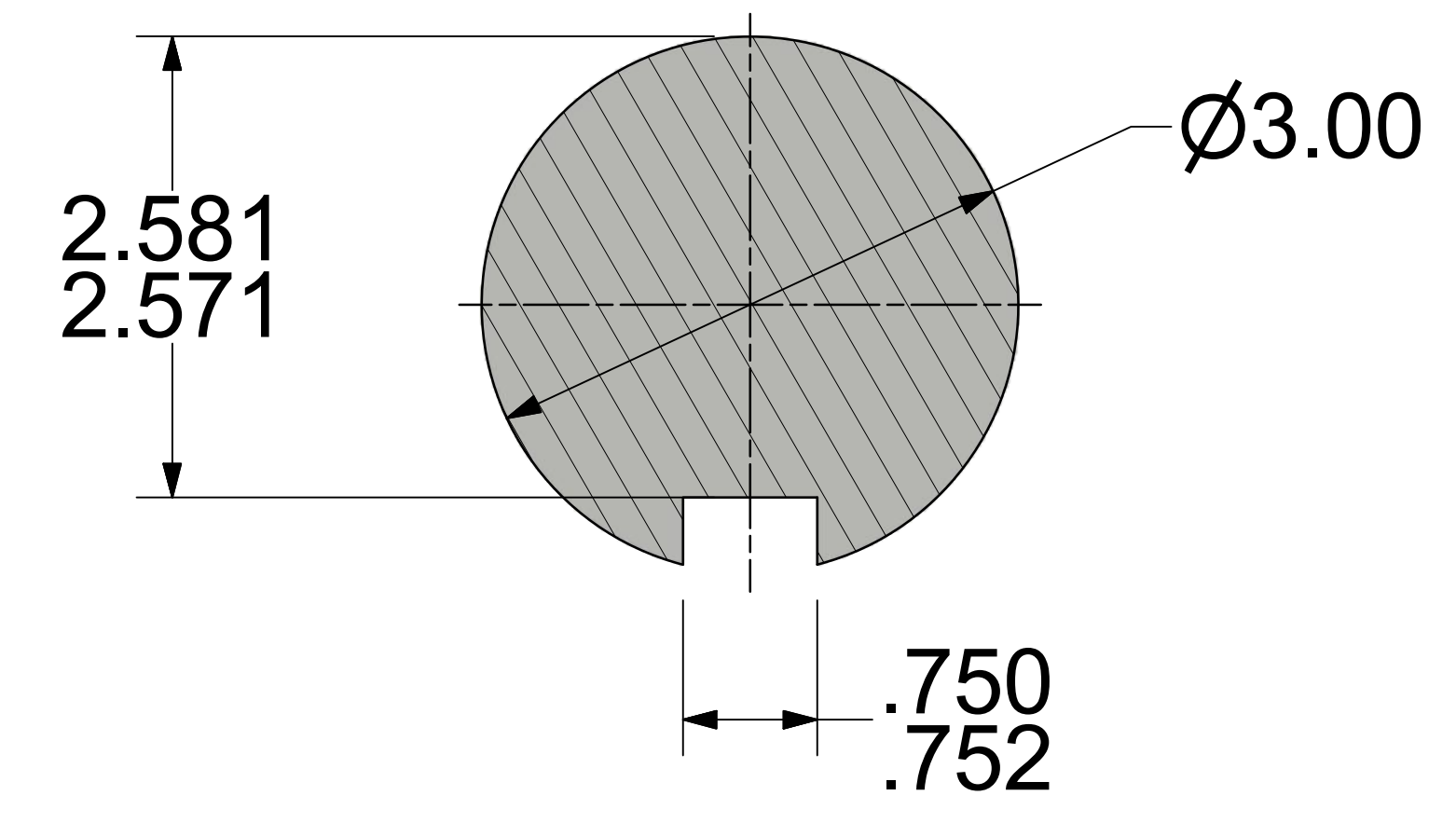
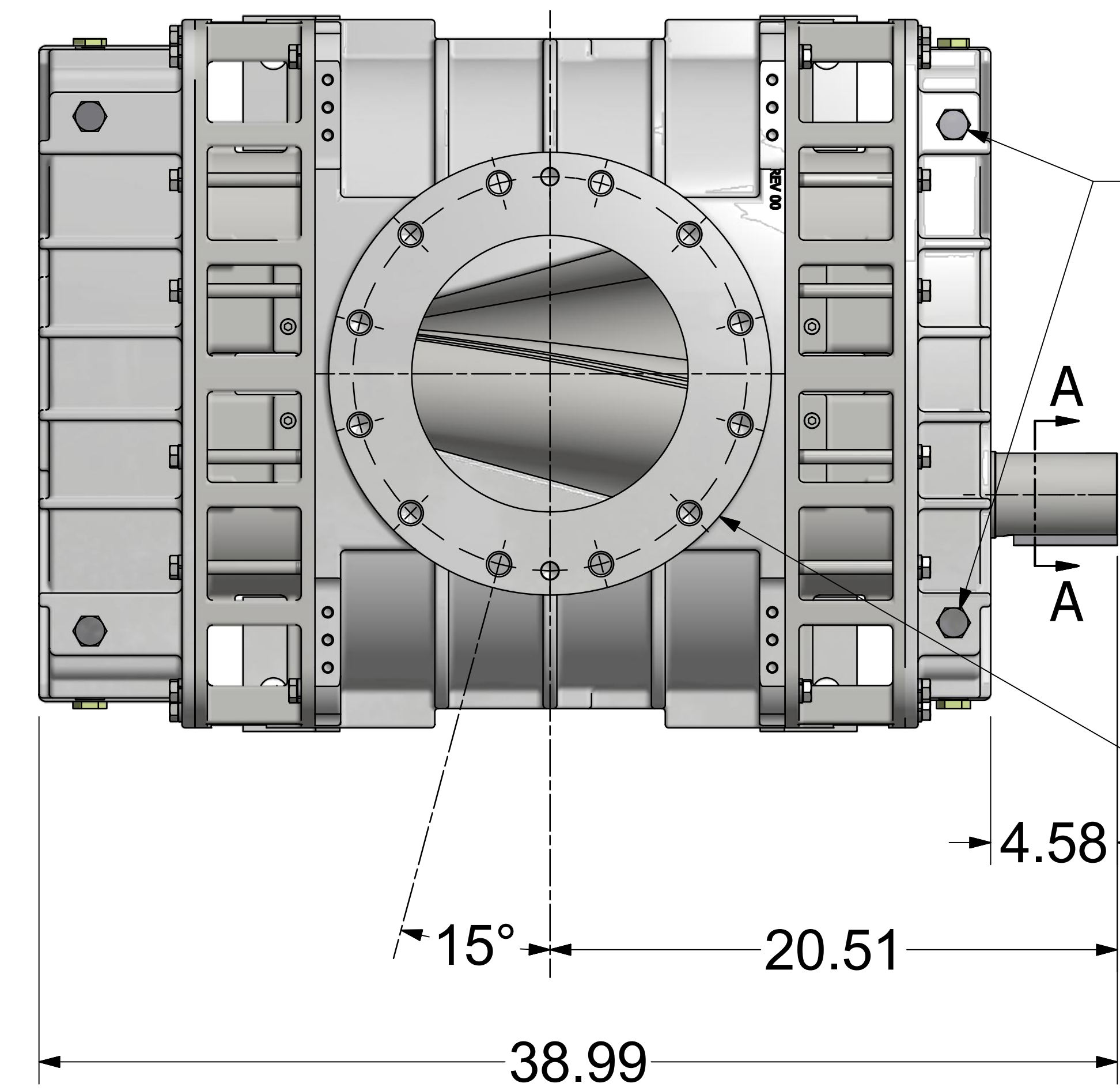


REVISION HISTORY						
ZONE	REV	DESCRIPTION	ECN #	DATE	DWN	CHK
	02	REVISE DIMENSIONS	1116055	3/22/2018	pmc2275	mws0121



FINISH OF CHAMFERS AND FILLETS TO CONFORM TO ROUGHEST ADJACENT AREA.		CONFIDENTIAL - THE INFORMATION CONTAINED IN THIS DOCUMENT IS THE PROPERTY OF GARDNER DENVER, INC. IT IS NOT FOR PUBLIC DISCLOSURE. POSSESSION OF THE INFORMATION DOES NOT CONVEY ANY RIGHT TO LOAN, SELL, OR DISCLOSE THE INFORMATION. UNAUTHORIZED REPRODUCTION OR USE OF THE INFORMATION IS PROHIBITED. THIS DOCUMENT IS TO BE RETURNED TO GARDNER DENVER, INC. UPON THE COMPLETION OF THE PURPOSE FOR WHICH IT IS LOANED OR UPON REQUEST.	
SURFACE ROUGHNESS MAXIMUM PER ASME B46.1. FULL THREAD DEPTHS ARE MINIMUM.		DIMENSIONING AND TOLERANCING PER ASME Y14.5-2009. THREADS PER ASME B1.1 GAGING SYSTEM 21 U.O.S., ANSI B1.20.1 & B1.20.3.	
UNLESS OTHERWISE SPECIFIED DIMENSIONS ARE IN INCHES		Gardner Denver Inc. Quincy, IL.	
TOL. ON DECIMALS: X = \pm .05	TOL. ON DECIMALS: XX = \pm .02	DESCRIPTION: 4093-GRP-BLOWER HELIFLOW 817 HORIZONTAL	
TOL. ON DECIMALS: XXX = \pm AS SPECIFIED	TOL. ON ANGLES: = \pm σ -30	DRAWN BY: pmc2275 8/29/2017	
THIRD ANGLE PROJECTION		SIZE: E	ENG. APPROVAL: exp7693
		SCALE: 1/4	DRAWING NO: 305HYG800
			REV: 02
			SHEET: 1 OF 1