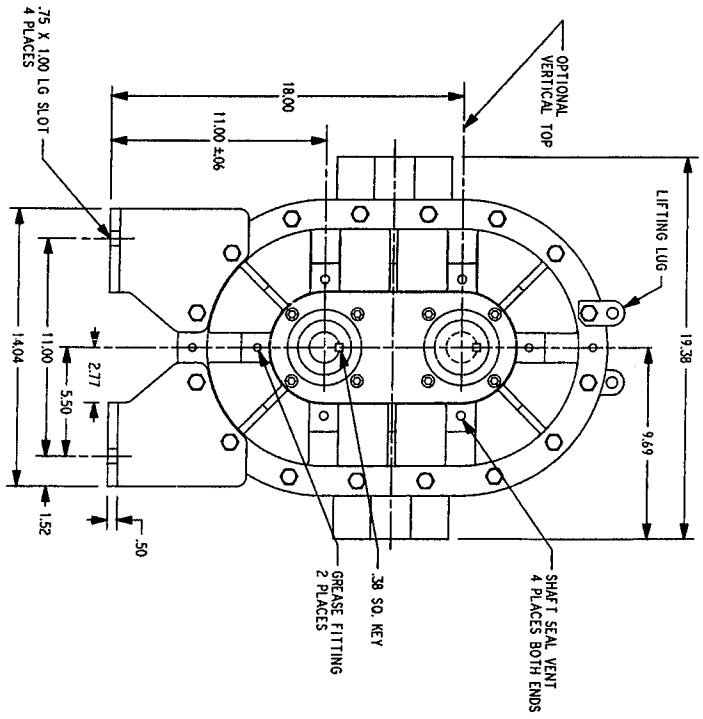
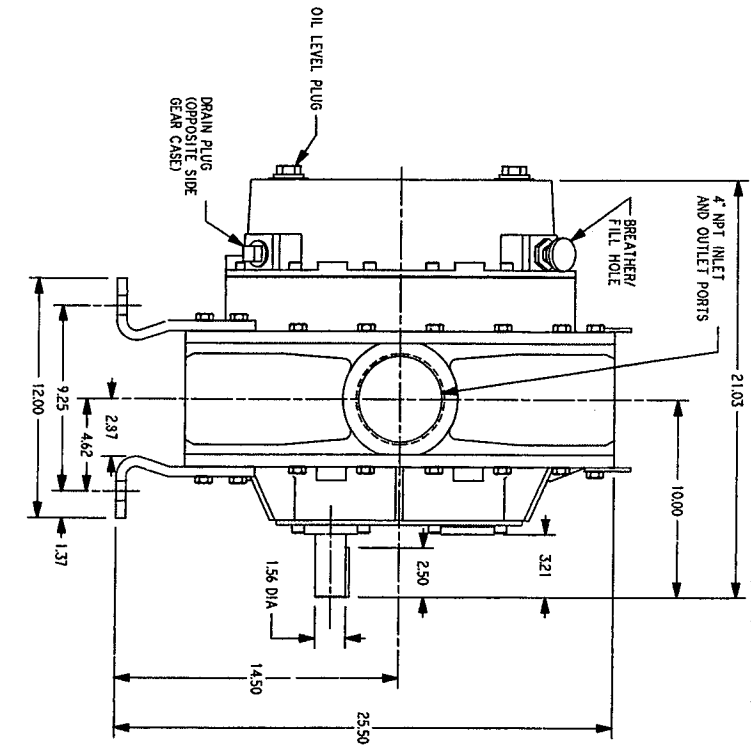


CONSTRUCTION	ROTATION	DISCH PORT
VERTICAL BOTTOM	CLOCKWISE (CW)	LEFT SIDE
VERTICAL TOP	COUNTERCLOCKWISE (CCW)	RIGHT SIDE
	CLOCKWISE (CW)	RIGHT SIDE
	COUNTERCLOCKWISE (CCW)	LEFT SIDE



ESTIMATED WEIGHT - 523 LBS

FOR ALL CURRENT SPECIFICATIONS REFER TO BILL OF MATERIAL

DATE: 303GA0880

FILE NO. 5 CAD/CAM

DATE: 4-17-76

DATE: 4-19-76

DATE: 2-5

DATE: 303GA0880

DATE: 5 CAD/CAM



RELEASED (ECN B9260043)

COPYRIGHT - THE INFORMATION CONTAINED IN THIS DOCUMENT IS THE PROPERTY OF GARDNER DENVER MACHINERY INC. IT IS NOT FOR PUBLIC DISCLOSURE. POSSESSION OF THE INFORMATION DOES NOT CONVEY ANY RIGHT TO LOAN, REPRODUCE, OR DISCLOSE THE INFORMATION. REPRODUCTION OR TRANSMISSION OF THIS INFORMATION IS PROHIBITED. THIS DOCUMENT IS TO BE RETURNED TO GARDNER DENVER MACHINERY INC. UPON COMPLETION OF THE PURPOSE FOR WHICH IT IS LOANED OR UPON REQUEST.