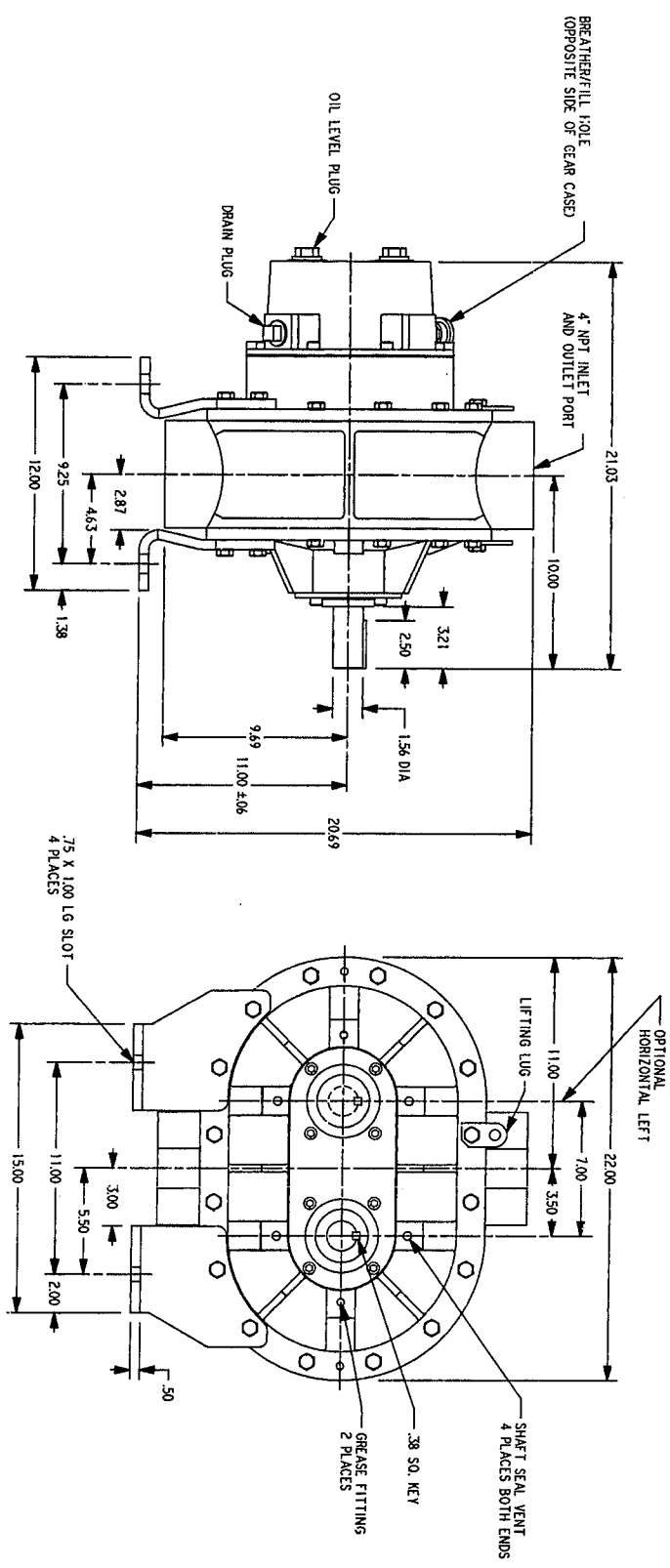


CONSTRUCTION	ROTATION	DISCH PORT
HORIZONTAL RIGHT	CLOCKWISE (CW)	BOTTOM SIDE
HORIZONTAL LEFT	COUNTERCLOCKWISE (CCW)	TOP SIDE
	CLOCKWISE (CW)	BOTTOM SIDE
	COUNTERCLOCKWISE (CCW)	TOP SIDE



ESTIMATED WEIGHT - 523 LBS

COMPONENTS - THE INFORMATION CONTAINED IN THIS DOCUMENT IS THE PROPERTY OF GARDNER DENVER MACHINERY INC. IT IS NOT FOR PUBLIC DISCLOSURE. POSSESSION OF THE INFORMATION DOES NOT CONVEY ANY RIGHT TO LOAN, SELL OR DISCLOSE THE INFORMATION. UNAUTHORIZED REPRODUCTION OR USE OF THE INFORMATION IS PROHIBITED. THIS DOCUMENT IS TO BE RETURNED TO GARDNER DENVER MACHINERY INC. UPON COMPLETION OF THE PURPOSE FOR WHICH IT IS LOANED OR UPON REQUEST.

REV.	DATE	BY	CHKD.	DESCRIPTION
1				1/2" DRILL, SETTING AND MATERIAL (SEE THE SETTING AND MATERIAL)

REV.	DATE	BY	CHKD.	DESCRIPTION
1				UNIT'S DIMENSIONS SPECIFIED MUST BE AS SHOWN

REV.	DATE	BY	CHKD.	DESCRIPTION
1				FINISH OF CHAMFER & VENTURE TO CONFORM TO REQUEST INDICATED AREA

Gardner Denver
Gardner Denver Machinery Inc.
Quincy, Illinois

FOR ALL CURRENT SPECIFICATIONS REFER TO BILL OF MATERIAL
OUTLINE-BARE UNIT
MODEL 711
DATE 4-15-90
SCALE 25
300GAG800
FILE NO. 10 CAD/CAM

REV.	DATE	BY	CHKD.	DESCRIPTION
1				1/2" DRILL, SETTING AND MATERIAL (SEE THE SETTING AND MATERIAL)
2				
3				
4				
5				
6				
7				
8				
9				
10				
11				
12				
13				
14				
15				
16				
17				
18				
19				
20				
21				
22				
23				
24				
25				
26				
27				
28				
29				
30				
31				
32				
33				
34				
35				
36				
37				
38				
39				
40				
41				
42				
43				
44				
45				
46				
47				
48				
49				
50				