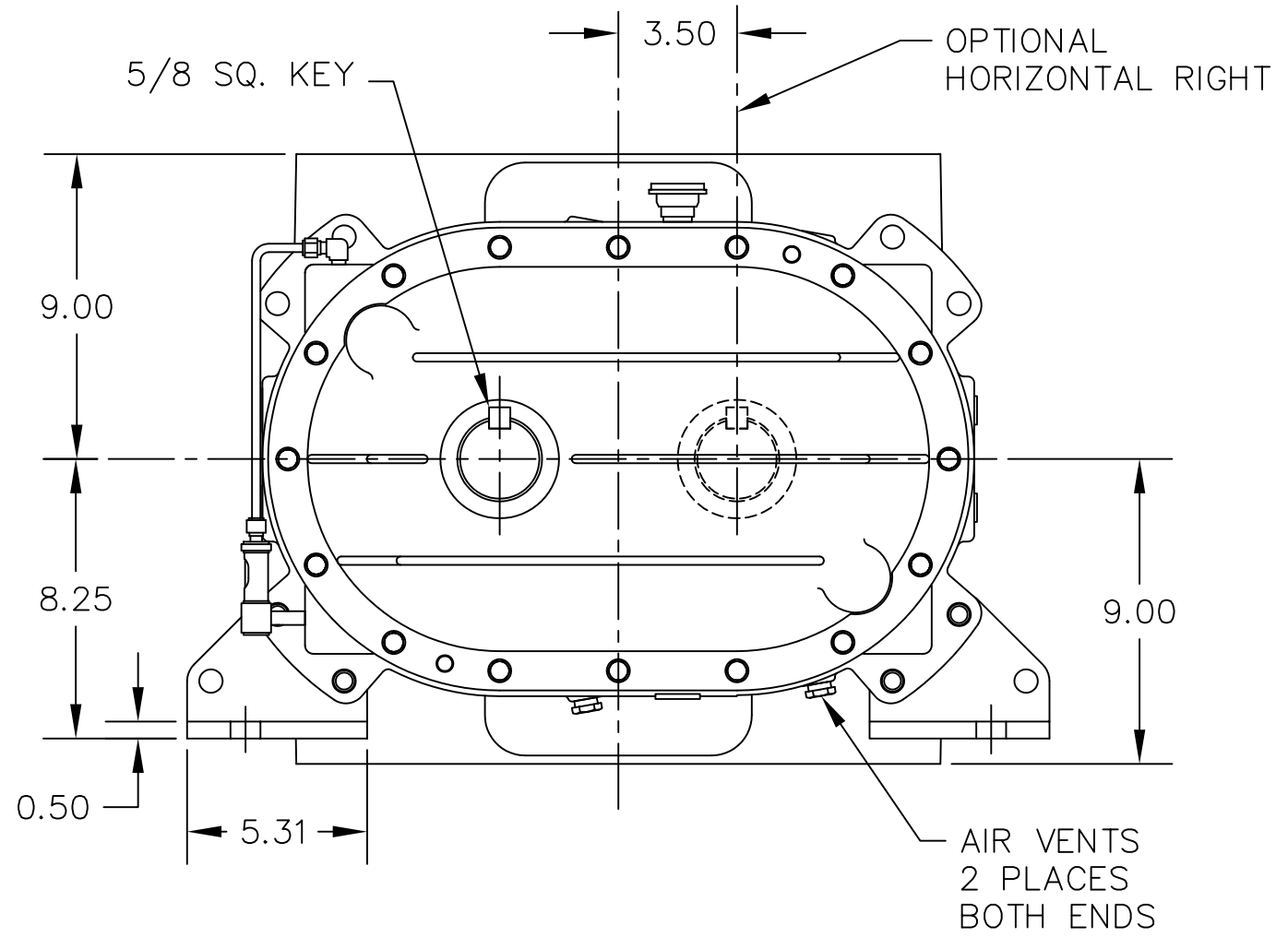
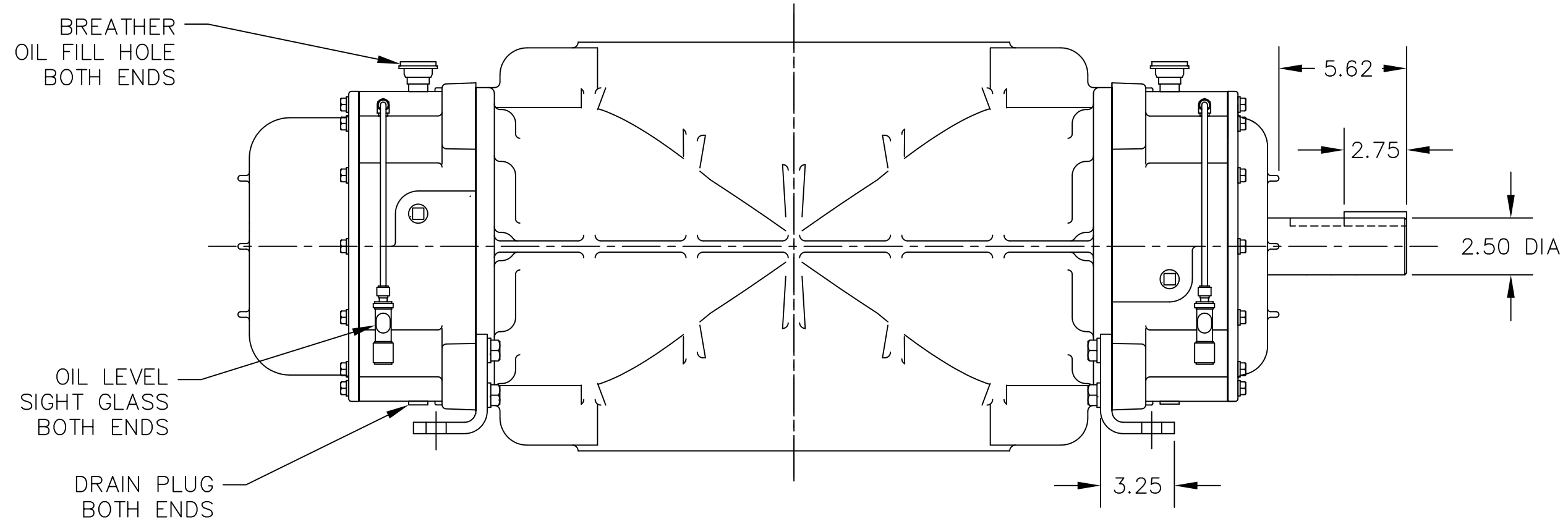


| CONSTRUCTION | ROTATION | DISCH PORT |
|------------------|------------------------|-------------|
| HORIZONTAL LEFT | CLOCKWISE (CW) | TOP SIDE |
| | COUNTERCLOCKWISE (CCW) | BOTTOM SIDE |
| HORIZONTAL RIGHT | CLOCKWISE (CW) | BOTTOM SIDE |
| | COUNTERCLOCKWISE (CCW) | TOP SIDE |

ESTIMATED WEIGHT - 1200 LBS



CONFIDENTIAL - THE INFORMATION CONTAINED IN THIS DOCUMENT IS THE PROPERTY OF GARDNER DENVER MACHINERY INC. IT IS NOT FOR PUBLIC DISCLOSURE. POSSESSION OF THE INFORMATION DOES NOT CONVEY ANY RIGHT TO LOAN, SELL OR DISCLOSE THE INFORMATION. UNAUTHORIZED REPRODUCTION OR USE OF THE INFORMATION IS PROHIBITED. THIS DOCUMENT IS TO BE RETURNED TO GARDNER DENVER MACHINERY INC. UPON COMPLETION OF THE PURPOSE FOR WHICH IT IS LOANED OR UPON REQUEST.

TAP DRILL DEPTHS ARE MAXIMUM. FULL THD. DEPTHS ARE MINIMUM.

FINISH OF CHAMFERS & FILLETS TO CONFORM TO ROUGHEST ADJACENT AREA

SURFACE ROUGHNESS MAX. PER ASA SPEC.

| LET. | REVISION | DATE | DR. | CK. | LET. | REVISION | DATE | DR. | CK. | LET. | REVISION | DATE | DR. | CK. |
|------|------------------------|------|-----|-----|------|----------|------|-----|-----|------|----------|------|-----|-----|
| A | RELEASED (C/M 1028500) | | | | | | | | | | | | | |

Gardner Denver

Gardner Denver Inc.
Peachtree City, Georgia

TOLERANCES: UNLESS OTHERWISE SPECIFIED
 DECIMAL .XX ± .02 .XXX ± .010
 NON-DECIMAL ± 1/16 ANGLES ± 1°

HEAT TREAT SPEC.

SHEET 1 OF 1

FOR ALL CURRENT SPECIFICATIONS REFER TO BILL OF MATERIAL

NAME
 OUTLINE-BARE UNIT
 7028 DUROFLOW HORIZONTAL

| | | | |
|-------|------|----------|-----------|
| DR. | SLM | 11/22/05 | MET. APP. |
| CK. | SM | 11/22/05 | ENG. APP. |
| SCALE | 3/16 | | |

310GGG800
 FILE NO. C CAD/CAM