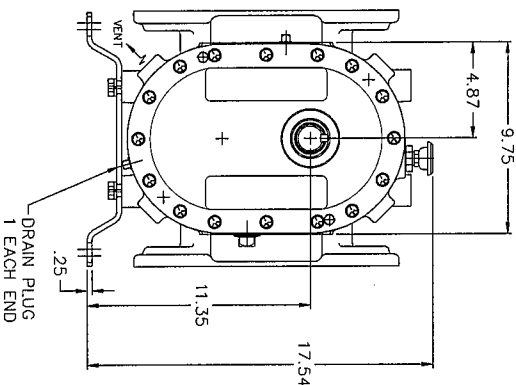
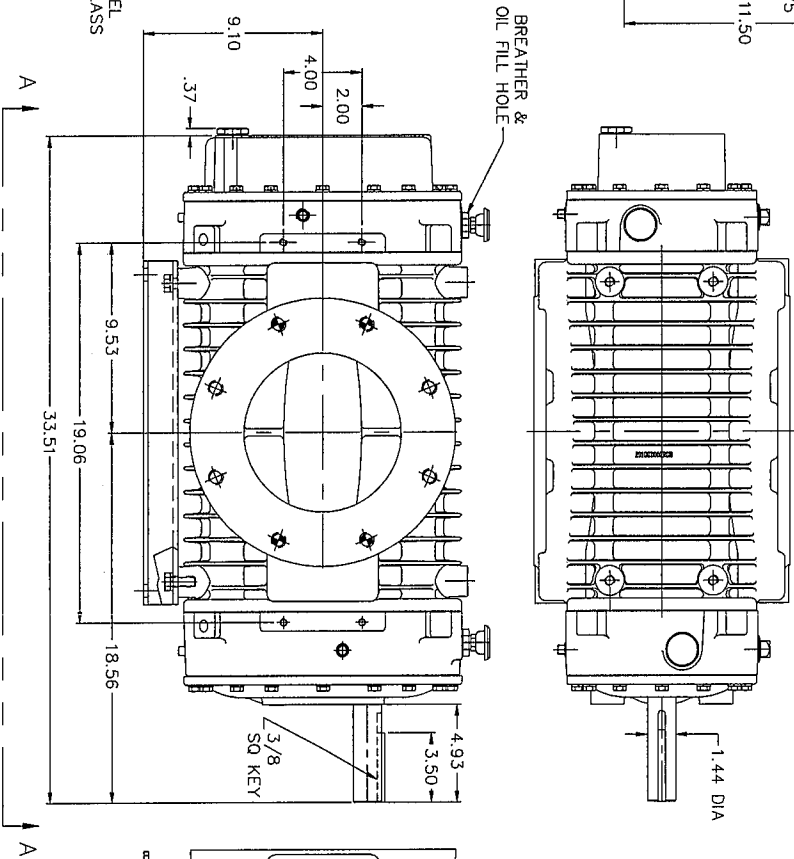
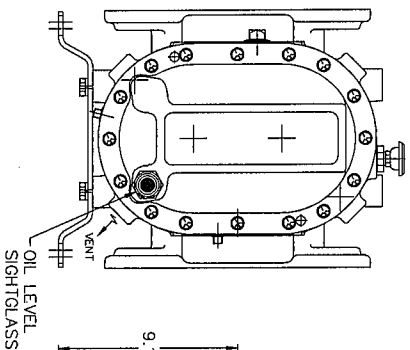


BOTTOM VIEW A-A



CONSTRUCTION	ROTATION	DISCHARGE PORT
VERTICAL-TOP	CLOCKWISE	RIGHT
	[CW]	
	COUNTER-CLOCKWISE	LEFT
	[CCW]	

COMPENSATIONAL - THE INFORMATION CONTAINED IN THIS DOCUMENT IS THE PROPERTY OF GARDNER DENVER MACHINERY INC. IT IS NOT FOR PUBLIC DISCLOSURE. POSSESSION OF THE INFORMATION DOES NOT CONVEY ANY RIGHT TO LOAN, SELL OR DISCLOSE THE INFORMATION. UNAUTHORIZED REPRODUCTION OR USE OF THE INFORMATION IS PROHIBITED. THIS DOCUMENT IS TO BE RETURNED TO GARDNER DENVER MACHINERY INC. UPON COMPLETION OF THE PURCHASE FOR WHICH IT IS ORDERED OR UPON REQUEST.

REV	DATE	BY	CHK	DESCRIPTION
A	RELEASED (ECL 1008424)			

**Gardner Denver**  
 Gardner Denver Machinery Inc.  
 Peachtree City, Georgia

FOR ALL CURRENT SPECIFICATIONS REFER TO DIBL OR MATERIALS

**OUTLINE-BARE UNIT**  
 4918 YF  
 DES 1 9-11-00  
 SIV 1 9-11-00  
 317 GARDNER  
 FILE NO. 10 030 /SAL