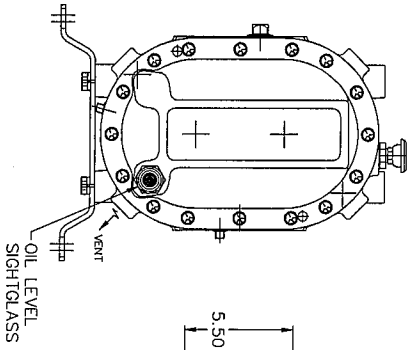
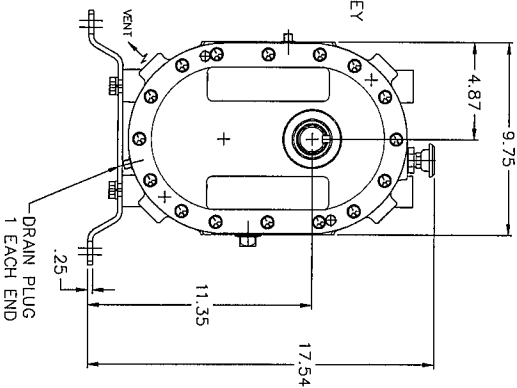
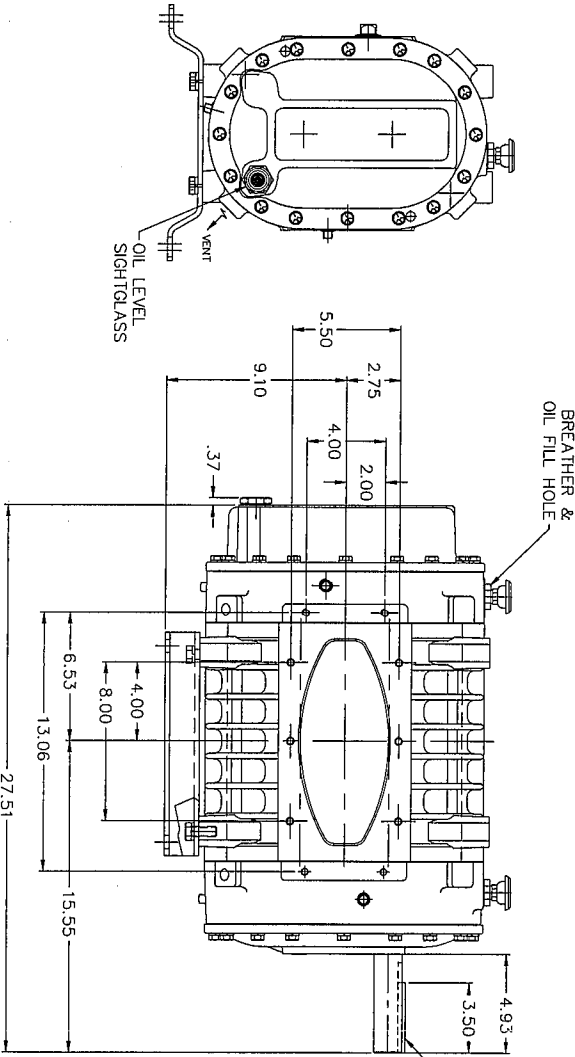
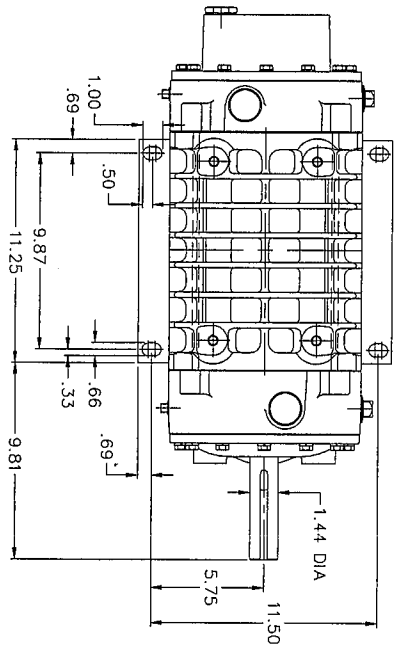


CONSTRUCTION	ROTATION	DISCHARGE PORT
VERTICAL-TOP	CLOCKWISE [CW]	RIGHT
	COUNTER-CLOCKWISE [CCW]	LEFT



BREATHER & OIL FILL HOLE

3/8 SQ KEY

DRAIN PLUG
1 EACH END

CONFIDENTIAL - THE INFORMATION CONTAINED IN THIS DOCUMENT IS THE PROPERTY OF GARDNER DENVER MACHINERY INC. IT IS NOT FOR PUBLIC DISCLOSURE. POSSESSION OF THE INFORMATION DOES NOT CONVEY ANY RIGHT TO LOAN, SELL, OR REPRODUCE THE INFORMATION. UNAUTHORIZED REPRODUCTION OR USE OF THE INFORMATION IS PROHIBITED. THIS DOCUMENT IS TO BE RETURNED TO GARDNER DENVER MACHINERY INC. UPON COMPLETION OF THE PURPOSE FOR WHICH IT IS LOANED. UPON REQUEST, SERVICE BIDDERS MAY REQUEST A COPY OF THIS DOCUMENT.

REV	DATE	BY	CHK	DESCRIPTION
A	RELEASED (EON 1008424)			

1/2" SMALL LETTERS ARE REQUIRED FOR THE DIMENSIONS AND MATERIALS.

FORMS OF QUANTITIES & FITS TO CONFORM TO PROPOSED ASSEMBLY AREA.

Gardner Denver Inc.
Rockledge City, Georgia

DANMAR

FOR ALL CURRENT SPECIFICATIONS REFER TO BILL OF MATERIALS

OUTLINE-BARE UNIT

REV: 1
DATE: 1-11-80
BY: SW
CHK: SW

FILE NO. 313CGDB00 CAD/CAM