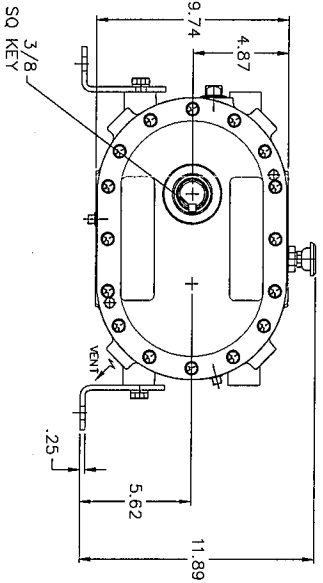
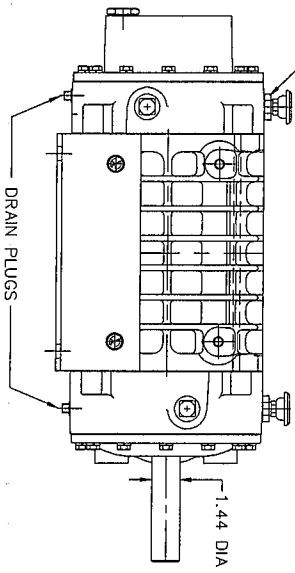
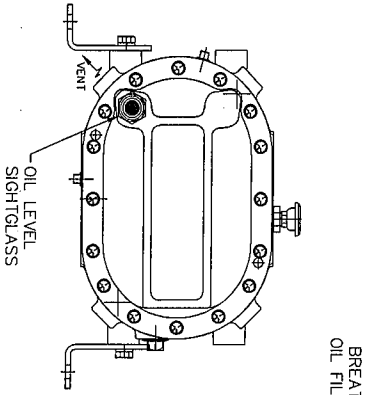
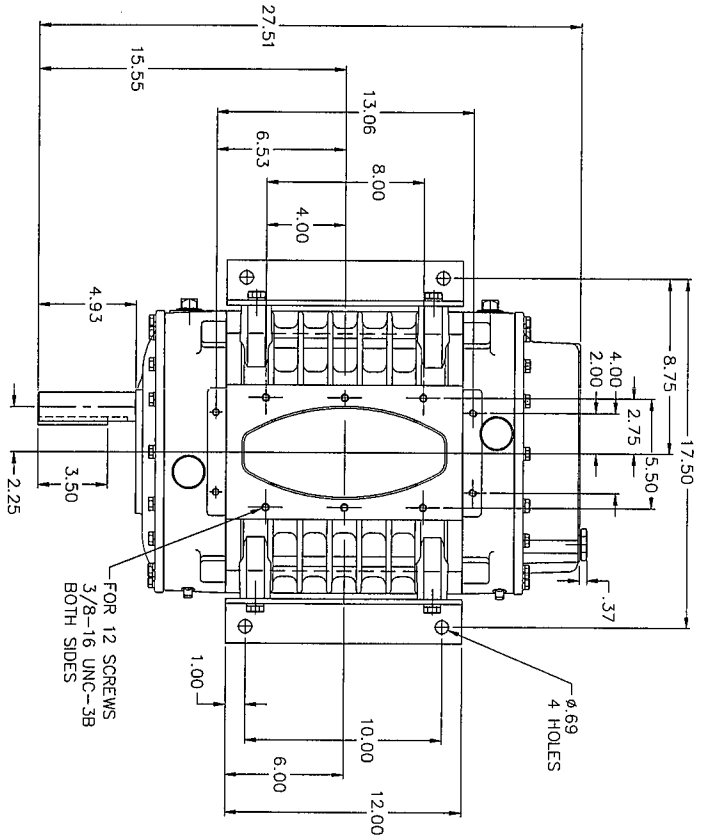


CONSTRUCTION	ROTATION	DISCHARGE PORT
HORIZONTAL-L	CLOCKWISE [CW]	TOP
	COUNTER-CLOCKWISE [CCW]	BOTTOM



CONFIDENTIAL - THE INFORMATION CONTAINED IN THIS DOCUMENT IS THE PROPERTY OF GARDNER DENVER MACHINERY INC. IT IS NOT FOR PUBLIC DISCLOSURE. POSSESSION OF THE INFORMATION DOES NOT CONVEY ANY RIGHT TO LOAN, REUSE, OR REPRODUCE THE INFORMATION. UNAUTHORIZED REPRODUCTION OR USE OF THE INFORMATION IS PROHIBITED. THIS DOCUMENT IS TO BE RETURNED TO GARDNER DENVER MACHINERY INC. UPON COMPLETION OF THE PURPOSE FOR WHICH IT IS LOANED OR UPON REQUEST. SALES REPRESENTS MAY NOT DISSEMINATE THIS DOCUMENT TO OTHERS WITHOUT THE WRITTEN PERMISSION OF GARDNER DENVER MACHINERY INC.

REV	DATE	BY	CHK	DESCRIPTION
A	10/21/88	JWM	SP	RELEASED (ECON 1008842)
B	10/21/88	JWM	SP	WIG HOLE WAS .53 (ECON 1009115)
C				
D				
E				
F				
G				
H				
I				
J				
K				
L				
M				
N				
O				
P				
Q				
R				
S				
T				
U				
V				
W				
X				
Y				
Z				

Gardner Denver
Gardner Denver Inc.
P.O. Box 1000
Rockdale, IL 60424
NON-DETAILED 3/16" ANGLES 3/16"

FOR ALL CURRENT SPECIFICATIONS REFER TO BILL OF MATERIAL.

OUTLINE-BARE UNIT
REV 1 4312 HL
REV 2 1211 HL
REV 3 1211 HL
REV 4 1211 HL
REV 5 1211 HL
REV 6 1211 HL
REV 7 1211 HL
REV 8 1211 HL
REV 9 1211 HL
REV 10 1211 HL
REV 11 1211 HL
REV 12 1211 HL
REV 13 1211 HL
REV 14 1211 HL
REV 15 1211 HL
REV 16 1211 HL
REV 17 1211 HL
REV 18 1211 HL
REV 19 1211 HL
REV 20 1211 HL
REV 21 1211 HL
REV 22 1211 HL
REV 23 1211 HL
REV 24 1211 HL
REV 25 1211 HL
REV 26 1211 HL
REV 27 1211 HL
REV 28 1211 HL
REV 29 1211 HL
REV 30 1211 HL
REV 31 1211 HL
REV 32 1211 HL
REV 33 1211 HL
REV 34 1211 HL
REV 35 1211 HL
REV 36 1211 HL
REV 37 1211 HL
REV 38 1211 HL
REV 39 1211 HL
REV 40 1211 HL
REV 41 1211 HL
REV 42 1211 HL
REV 43 1211 HL
REV 44 1211 HL
REV 45 1211 HL
REV 46 1211 HL
REV 47 1211 HL
REV 48 1211 HL
REV 49 1211 HL
REV 50 1211 HL
REV 51 1211 HL
REV 52 1211 HL
REV 53 1211 HL
REV 54 1211 HL
REV 55 1211 HL
REV 56 1211 HL
REV 57 1211 HL
REV 58 1211 HL
REV 59 1211 HL
REV 60 1211 HL
REV 61 1211 HL
REV 62 1211 HL
REV 63 1211 HL
REV 64 1211 HL
REV 65 1211 HL
REV 66 1211 HL
REV 67 1211 HL
REV 68 1211 HL
REV 69 1211 HL
REV 70 1211 HL
REV 71 1211 HL
REV 72 1211 HL
REV 73 1211 HL
REV 74 1211 HL
REV 75 1211 HL
REV 76 1211 HL
REV 77 1211 HL
REV 78 1211 HL
REV 79 1211 HL
REV 80 1211 HL
REV 81 1211 HL
REV 82 1211 HL
REV 83 1211 HL
REV 84 1211 HL
REV 85 1211 HL
REV 86 1211 HL
REV 87 1211 HL
REV 88 1211 HL
REV 89 1211 HL
REV 90 1211 HL
REV 91 1211 HL
REV 92 1211 HL
REV 93 1211 HL
REV 94 1211 HL
REV 95 1211 HL
REV 96 1211 HL
REV 97 1211 HL
REV 98 1211 HL
REV 99 1211 HL
REV 100 1211 HL

FILE NO. 31560800
D CAD/CAM