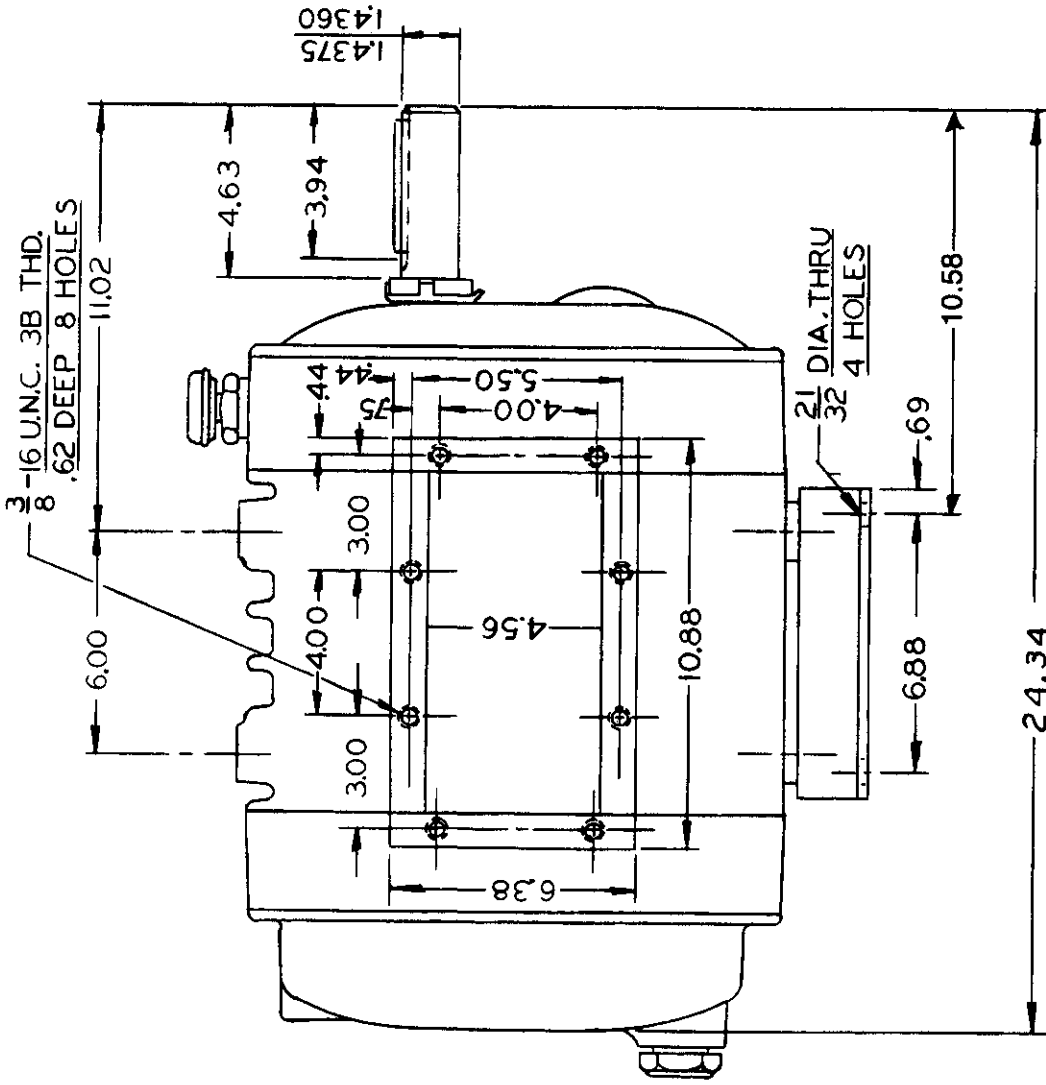
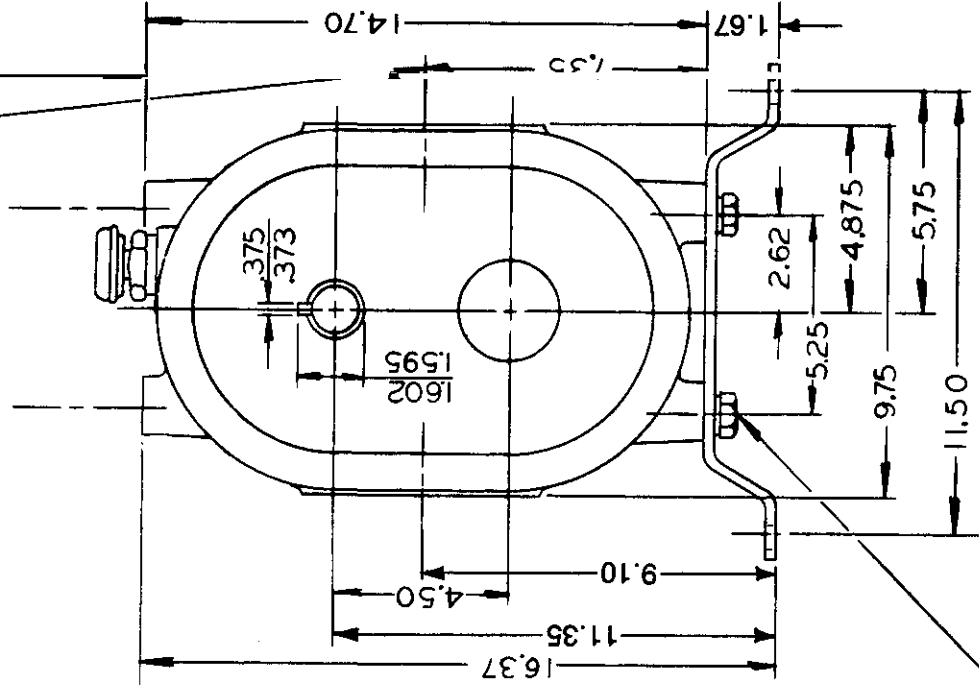


$\frac{3}{8}$ -16 U.N.C. 3B THD.
 $\frac{1}{2}$ DIA. THRU 4 HOLES



CENTER OF AIR
 INLET & OUTLET



$\frac{1}{2}$ -13 U.N.C. 2B THD.
 1.25 DEEP-- 8 HOLES

MODEL 4509 BLOWER
 VERTICAL TOP CONFIGURATION

