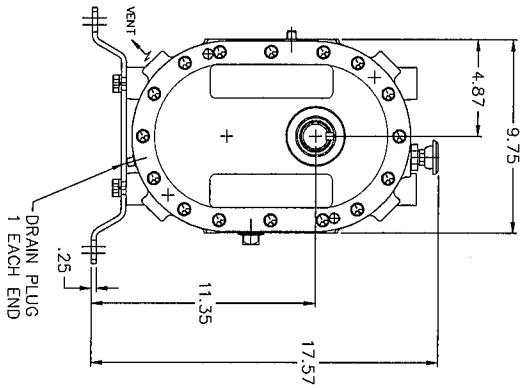
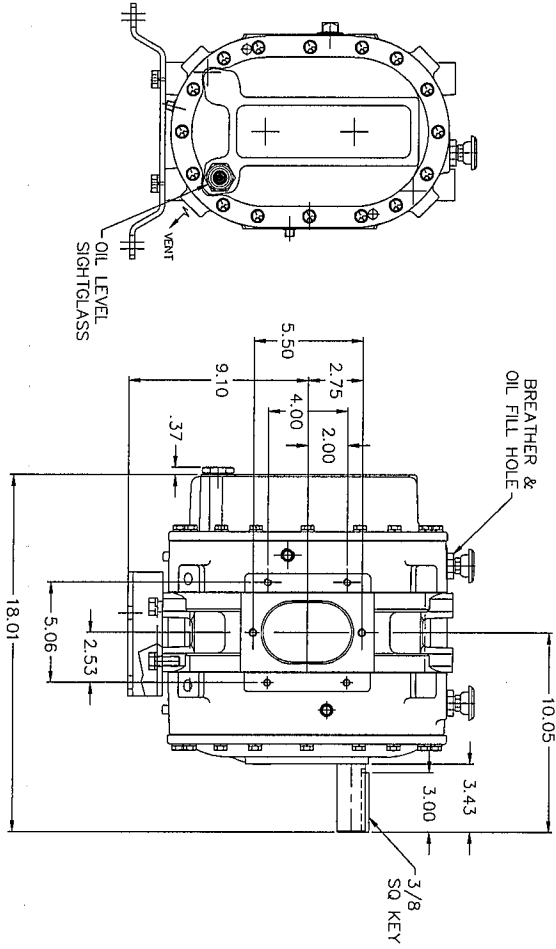
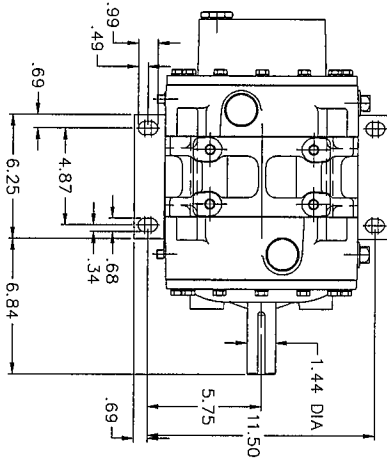


CONSTRUCTION	ROTATION	DISCHARGE PORT
VERTICAL-TOP	CLOCKWISE [CW]	RIGHT
	COUNTER-CLOCKWISE [CCW]	LEFT



CONFIDENTIAL - THE INFORMATION CONTAINED IN THIS DOCUMENT IS THE PROPERTY OF CASPHER DENVER MACHINERY INC. IT IS NOT FOR PUBLIC DISCLOSURE. POSSESSION OF THE INFORMATION DOES NOT CONVEY ANY RIGHT TO LOAN, SOL, OR REUSE THE INFORMATION. UNAUTHORIZED REPRODUCTION OR USE OF THE INFORMATION IS PROHIBITED. THIS DOCUMENT IS TO BE RETURNED TO CASPHER DENVER MACHINERY INC. UPON COMPLETION OF THE PURPOSE FOR WHICH IT IS LOANED OR UPON REQUEST. SERVICE REQUESTS MAY BE MADE BY FAX.

REV	DATE	BY	CHK	DESCRIPTION
A	RELEASED (ENR 1008423)			

FOR ALL CURRENT SPECIFICATIONS REFER TO BILL OF MATERIAL.

**Denver**  
Casper Denver Inc.  
Research City, Georgia

TRADE SHOW: 2004  
REG. NO. 2004-010  
NON-DEMO: 1/16  
REV. DATE: 1/16

FILE NO. D 3010CDB00 CAD/CAM