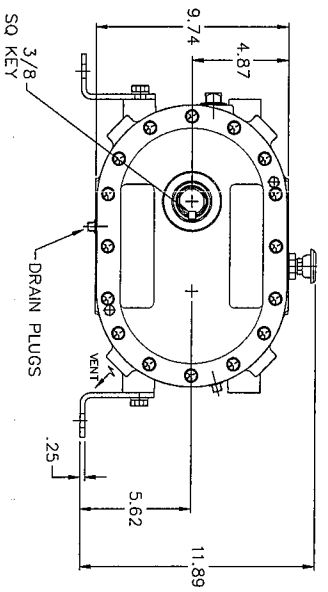
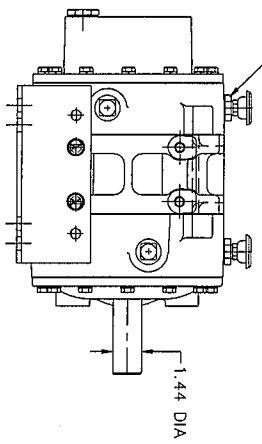
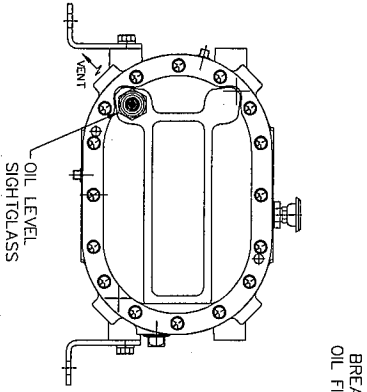
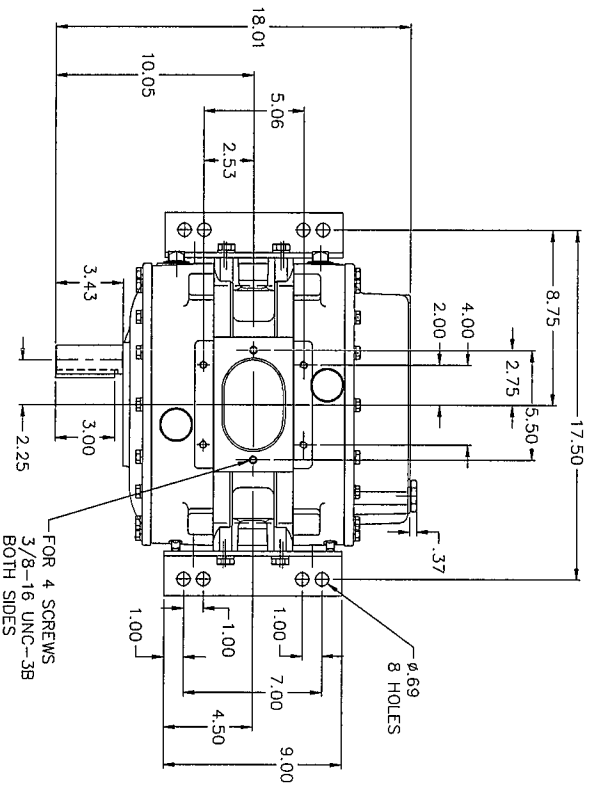


CONSTRUCTION	ROTATION	DISCHARGE PORT
HORIZONTAL-L	CLOCKWISE [CW]	TOP
	COUNTER-CLOCKWISE [CCW]	BOTTOM



COMPROMENTAL - THE INFORMATION CONTAINED IN THIS DOCUMENT IS THE PROPERTY OF CARBON DENVER MACHINERY, INC. IT IS NOT FOR PUBLIC DISCLOSURE. POSSESSION OF THE INFORMATION DOES NOT CONFER ANY RIGHT TO LOAN, SELL, OR DISCLOSE THE INFORMATION TO ANY OTHER PERSON OR ENTITY. THIS DOCUMENT IS TO BE RETURNED TO CARBON DENVER MACHINERY, INC. UPON COMPLETION OF THE PURPOSE FOR WHICH IT IS LOANED OR UPON REQUEST.

REV	DATE	BY	CHK	APP	DESCRIPTION
A	10/21/93	WVS	WVS		RELEASED (EEN 10084221)
B	10/21/93	WVS	WVS		TYPE HOLE WAS .53 (EEN 10089115)

FOR ALL CURRENT SPECIFICATIONS REFER TO BILL OF MATERIAL.

FOR ALL CURRENT SPECIFICATIONS REFER TO BILL OF MATERIAL.

OUTLINE-BASE UNIT

DATE: 10/21/93

FILE NO: 303GDD800

CAD/CAM