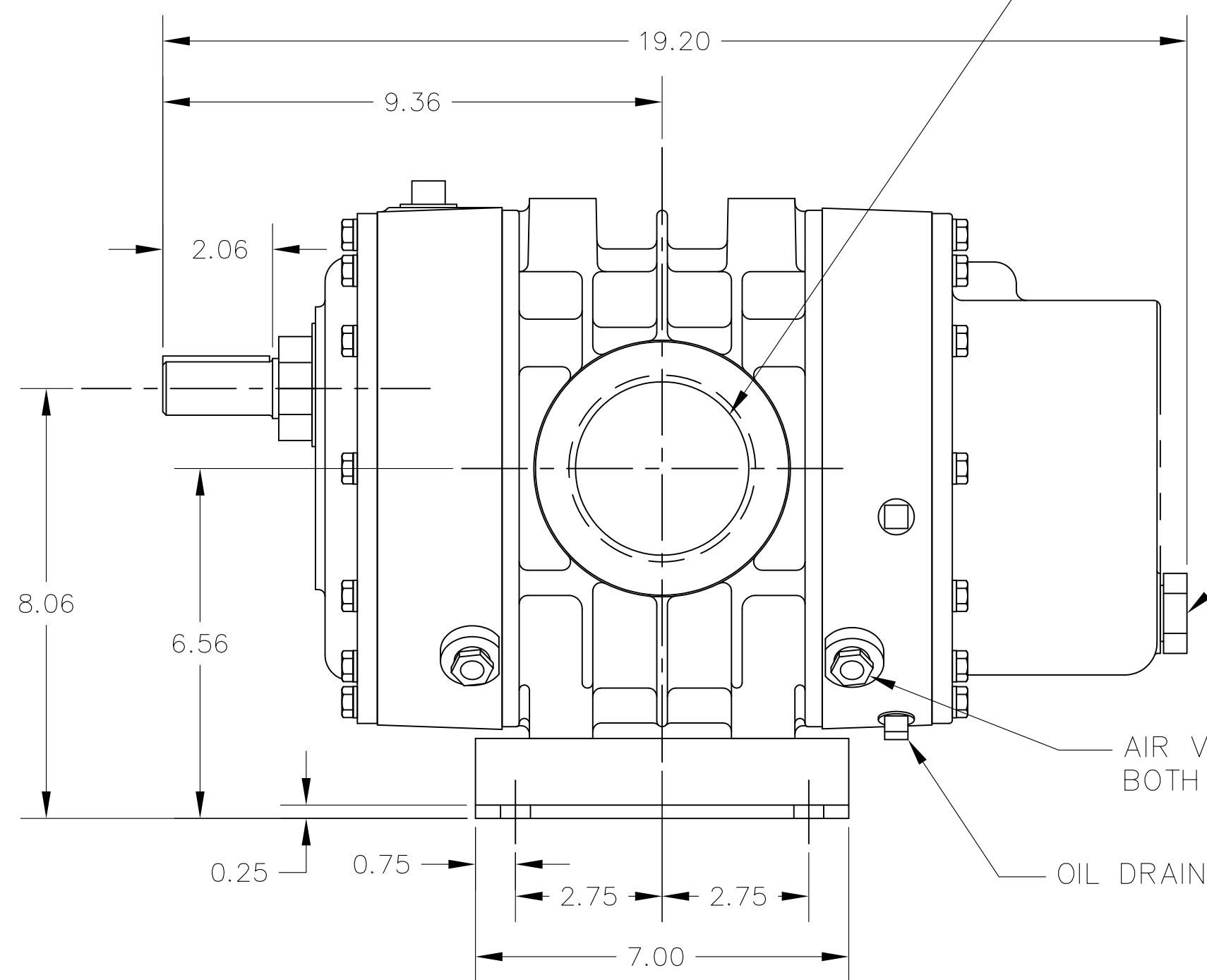
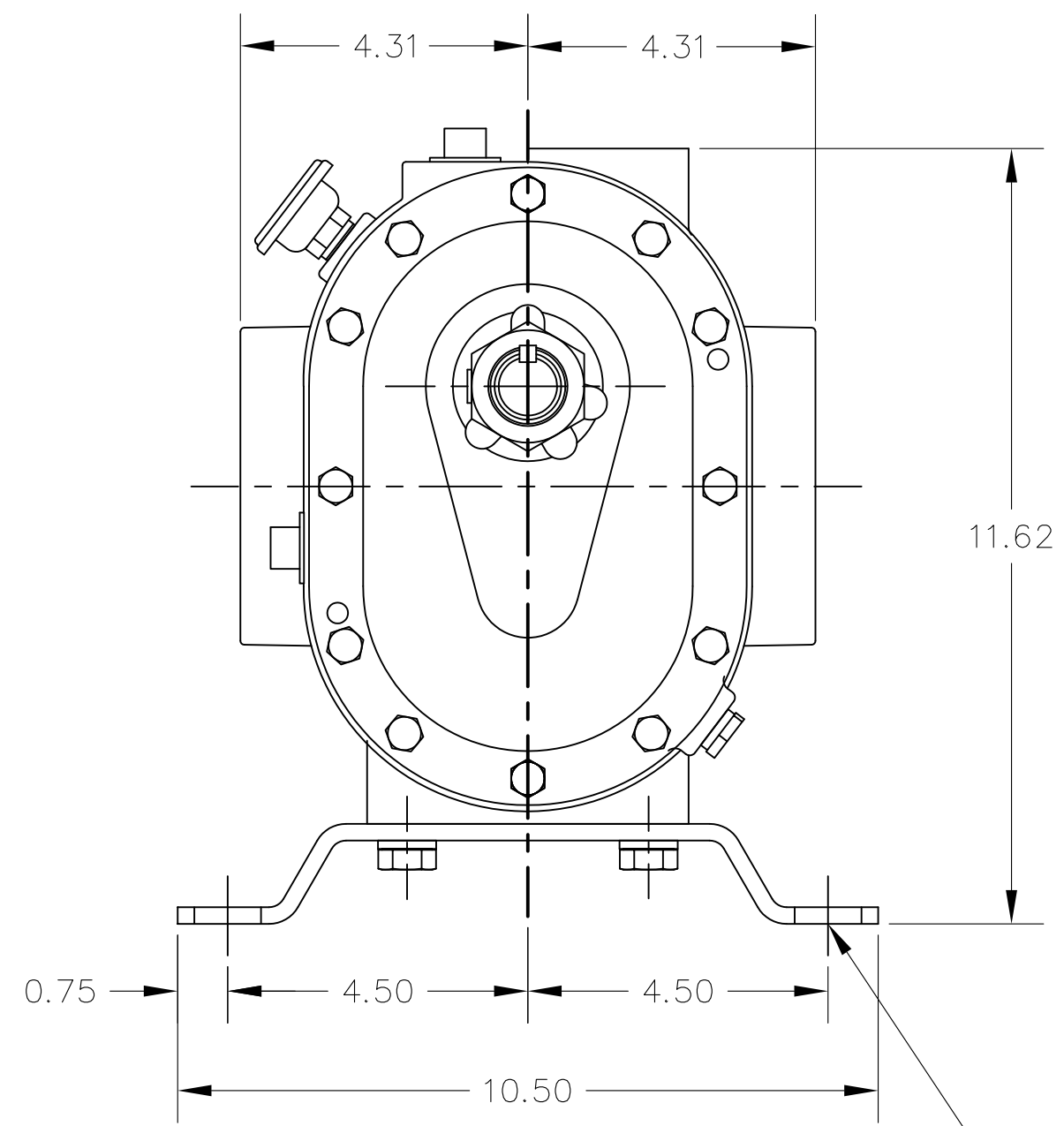
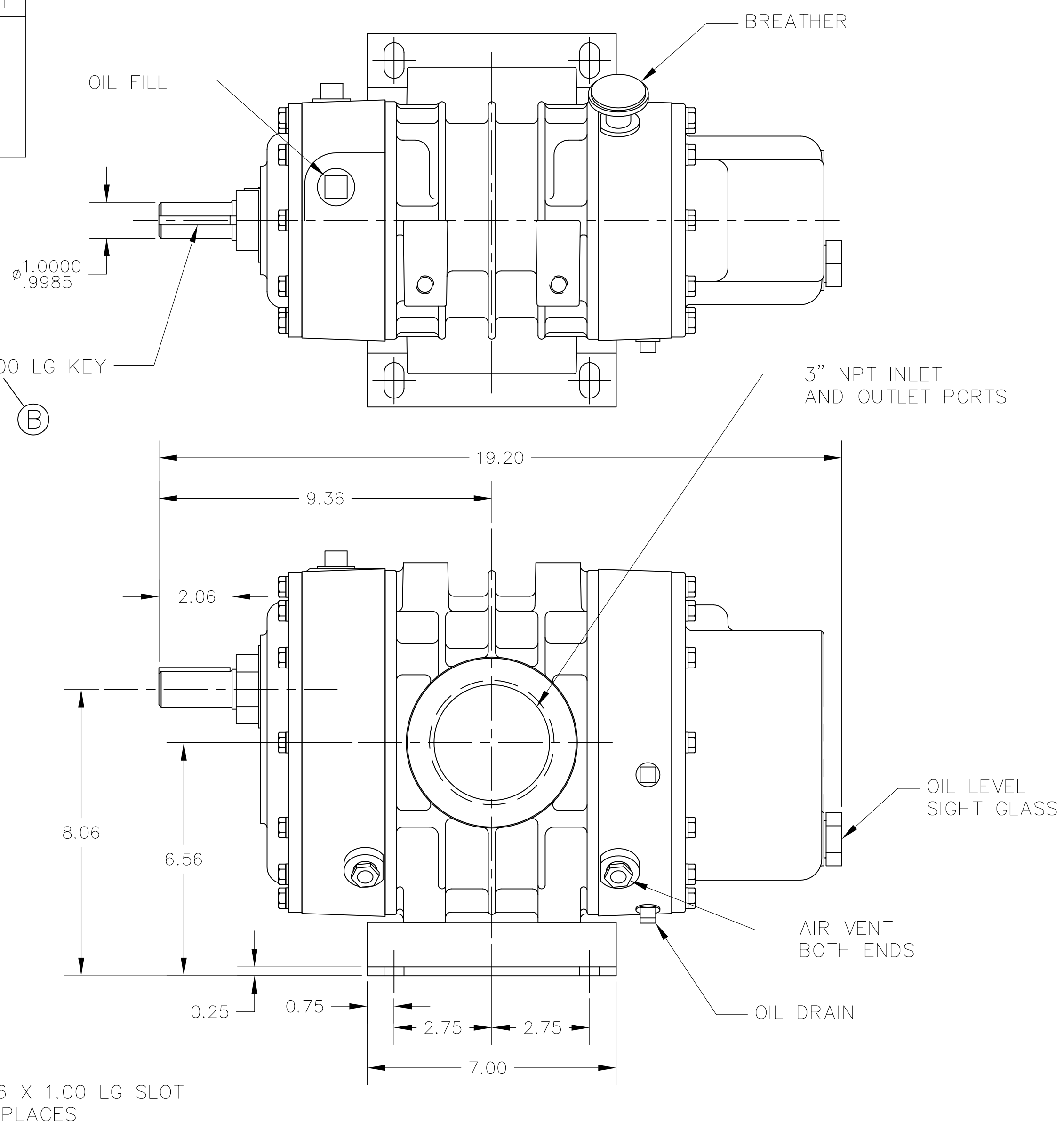


CONSTRUCTION VERTICAL-TOP	ROTATION CLOCKWISE [CW]	DISCHARGE PORT RIGHT
	COUNTER-CLOCKWISE [CCW]	LEFT



ESTIMATED WEIGHT - 135 LBS

NOTE: DIMENSIONS ARE +/- .06 INCHES UNLESS OTHERWISE SPECIFIED

CONFIDENTIAL - THE INFORMATION CONTAINED IN THIS DOCUMENT IS THE PROPERTY OF GARDNER DENVER MACHINERY INC. IT IS NOT FOR PUBLIC DISCLOSURE. POSSESSION OF THE INFORMATION DOES NOT CONVEY ANY RIGHT TO LOAN, SELL OR DISCLOSE THE INFORMATION. UNAUTHORIZED REPRODUCTION OR USE OF THE INFORMATION IS PROHIBITED. THIS DOCUMENT IS TO BE RETURNED TO GARDNER DENVER MACHINERY INC. UPON COMPLETION OF THE PURPOSE FOR WHICH IT IS LOANED OR UPON REQUEST.

LET.	REVISION	DATE	DR.	CK.	LET.	REVISION	DATE	DR.	CK.	LET.	REVISION	DATE	DR.	CK.
A	RELEASED (C/M 1018300)													
B	WAS 1.75 LG: ECN 1027922	10/21/05	TWT	RS										

Gardner Denver
Gardner Denver Inc.
Peachtree City, Georgia

TOLERANCES: UNLESS OTHERWISE SPECIFIED
DECIMAL .XX ± .02 .XXX ± .010
NON-DECIMAL ± 1/16 ANGLES ± 1°

HEAT TREAT SPEC. -

SHEET 1 OF 1

FOR ALL CURRENT SPECIFICATIONS REFER TO BILL OF MATERIAL			
NAME: OUTLINE-BARE UNIT			
MODEL 3006 VT			
DR.	SLM	10/14/03	MET. APP.
CK.	SM	10/14/03	ENG. APP.
SCALE	3/8		
300GGB800			
FILE NO.	C	CAD/CAM	