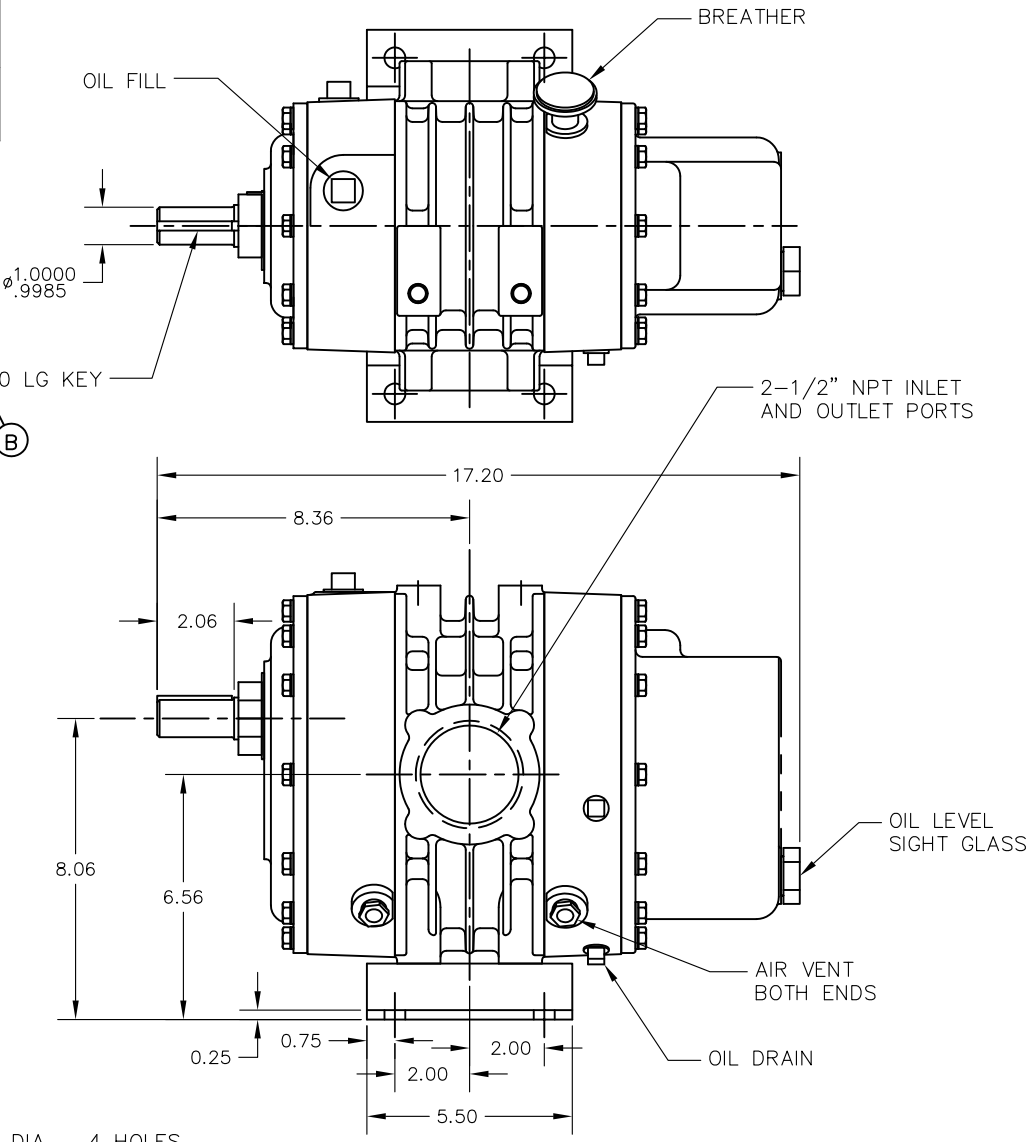


CONSTRUCTION	ROTATION	DISCHARGE PORT
VERTICAL-TOP	CLOCKWISE [CW]	RIGHT
	COUNTER-CLOCKWISE [CCW]	LEFT



ESTIMATED WEIGHT - 120 LBS

NOTE: DIMENSIONS ARE +/- .06 INCHES UNLESS OTHERWISE SPECIFIED

CONFIDENTIAL - THE INFORMATION CONTAINED IN THIS DOCUMENT IS THE PROPERTY OF GARDNER DENVER MACHINERY INC. IT IS NOT FOR PUBLIC DISCLOSURE. POSSESSION OF THE INFORMATION DOES NOT CONVEY ANY RIGHT TO LOAN, SELL OR DISCLOSE THE INFORMATION. UNAUTHORIZED REPRODUCTION OR USE OF THE INFORMATION IS PROHIBITED. THIS DOCUMENT IS TO BE RETURNED TO GARDNER DENVER MACHINERY INC. UPON COMPLETION OF THE PURPOSE FOR WHICH IT IS LOANED OR UPON REQUEST.

TAP DRILL DEPTHS ARE MAXIMUM. FULL THD. DEPTHS ARE MINIMUM.					FINISH OF CHAMFERS & FILLETS TO CONFORM TO ROUGHEST ADJACENT AREA					SURFACE ROUGHNESS MAX. PER ASA SPEC.				
LET.	REVISION	DATE	DR.	CK.	LET.	REVISION	DATE	DR.	CK.	LET.	REVISION	DATE	DR.	CK.
A	RELEASED (C/M 1018300)													
B	WAS 1.75 LG. ECN 1027922	10/12/05	TWT	RS										

Gardner Denver
Gardner Denver Inc.
Peachtree City, Georgia

FOR ALL CURRENT SPECIFICATIONS REFER TO BILL OF MATERIAL			
NAME: OUTLINE-BARE UNIT			
MODEL: 304GGB800			
TOLERANCES: UNLESS OTHERWISE SPECIFIED	DR. SLM 10/14/03	MET. APP.	
DECIMAL .XX ± .02 .XXX ± .010	CK. SM 10/14/03	ENG. APP.	
NON-DECIMAL ± 1/16 ANGLES ± 1°	SCALE 3/8		
HEAT TREAT SPEC.	304GGB800		
SHEET 1 OF 1	FILE NO. C CAD/CAM		