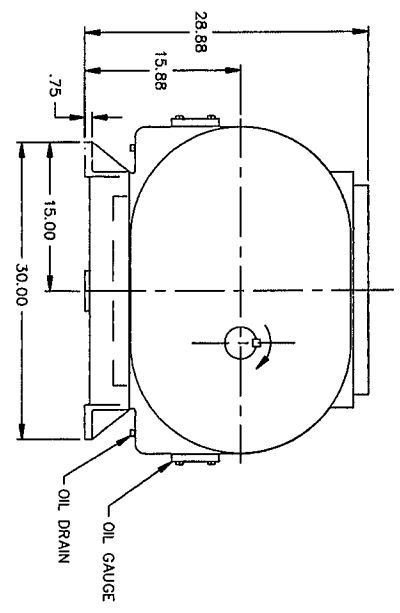
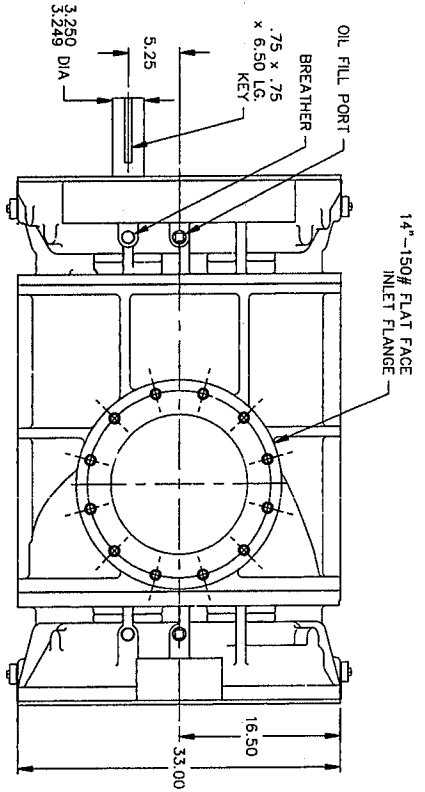


PLAN VIEW SHOWING
MOUNTING HOLE LOCATION



ESTIMATED WEIGHT - 3560 LBS

CONFIDENTIAL - THE INFORMATION CONTAINED IN THIS DOCUMENT IS THE PROPERTY OF GARDNER DENVER MACHINERY INC. IT IS NOT FOR PUBLIC DISCLOSURE. POSSESSION OF THE INFORMATION DOES NOT CONVEY ANY RIGHT TO LOAN, SELL OR DISCLOSE THE INFORMATION. UNAUTHORIZED REPRODUCTION OR USE OF THE INFORMATION IS PROHIBITED. THIS DOCUMENT IS TO BE RETURNED TO GARDNER DENVER MACHINERY INC. UPON COMPLETION OF THE PURPOSE FOR WHICH IT IS LOANED OR UPON REQUEST. SURFACE FINISHES AND MATERIAL SHALL BE AS PER SPEC.

REV.	DESCRIPTION	DATE	BY	CHK.	DATE	BY	CHK.	DATE	BY	CHK.
A	RELEASED (ECN 1007151)									
7.0P ORBIT DENVER ARE UNIVERSAL FULL TWO DENVER ARE MEMBER.										
FINISH OF COMPONENTS & FLANGES TO CONFORM TO REQUESTED ADJUSTMENT AREA										
<p>Gardner Denver</p> <p>Gardner Denver Inc. Peachtree City, Georgia</p> <p>TOLERANCES: UNLESS OTHERWISE SPECIFIED DECIMAL .XX ± .02 ANGLES ± 1° NON-DECIMAL ± 1/16</p> <p>HEAT TREAT SPEC. -</p>			<p>FOR ALL CURRENT SPECIFICATIONS REFER TO BILL OF MATERIAL</p>			<p>OUTLINE-BARE UNIT MODEL 11CDL31P DATE 3/27/00 BY TFM 3/27/00 SCALE 1 = 8 300CB1800 FILE NO. IC CAD/CAM</p>				
			SHEET 1 OF 1							